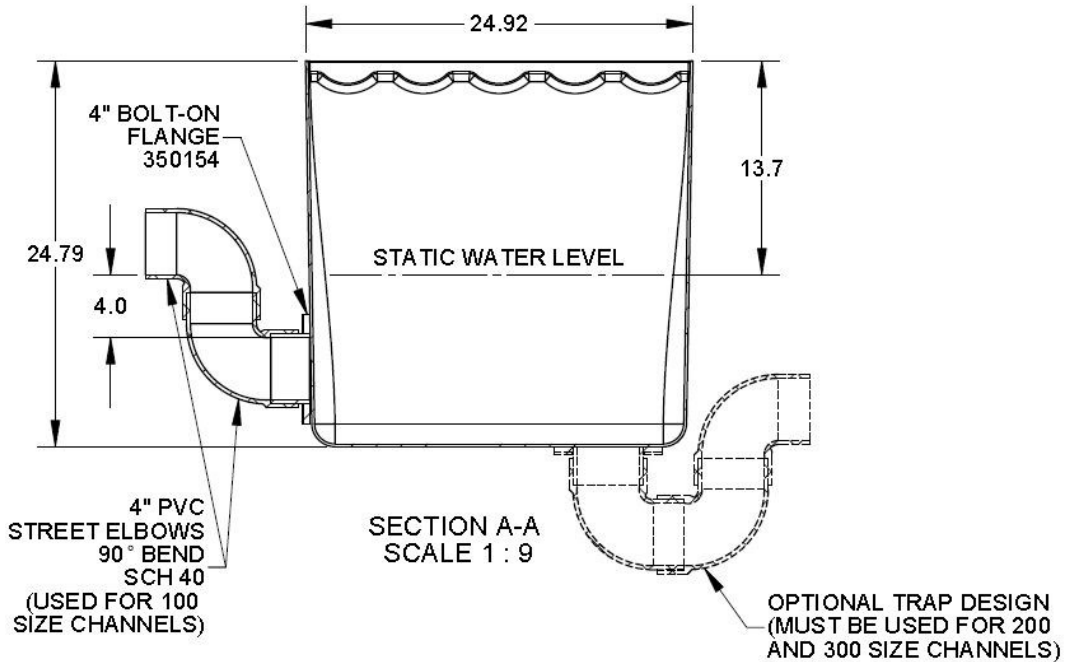
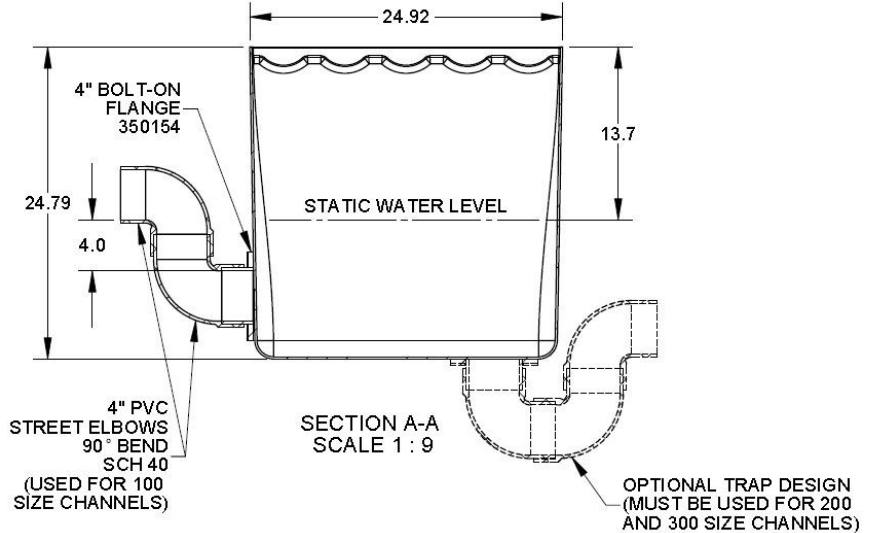
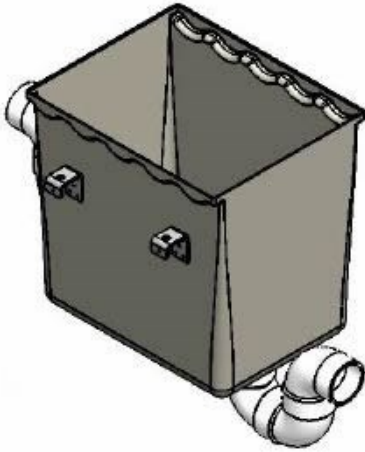


<p>Number</p> <p>CPS200-CB-FAT</p>	<p>Series</p> <p>CPS200</p> <p>Catch Basin 20 X 24 w Foul Air Trap</p> <p>Pro Plus 200</p>
--	--



Manufacturer



Specification

JOSAM SILT BOX FOR USE WITH PRO-PLUS 200C SERIES TRENCH CHANNELS. MADE WITH GRP MATERIAL. CHANNEL CUTOUT PROFILE(S) TO BE DONE ON SITE. INCLUDES EXTERNAL FOUL AIR TRAP.SUPPLIED BY TRENCH DRAIN SUPPLY

DISCLAIMER - The customer and the customer's architects, engineers, consultants, and other professionals are completely responsible for the selection installation and maintenance of any product purchased from Trench Drain Supply and/or its manufacturers. TRENCH DRAIN SUPPLY MAKES NO WARRANTY, EXPRESS OR IMPLIED, AS TO THE SUITABILITY, DESIGN, MERCHANTABILITY, OR FITNESS OF THE PRODUCT FOR CUSTOMERS APPLICATION. The drawing and information provided remain the property and copyright of the manufacturer listed. The manufacturer reserves the right to modify specification without notice.